

**READ ME !** ⚠

Thank you for purchasing a Bin Liner Holder.

Before you start, take a moment to familiarize yourself with the Fitting Instructions and the included components.

Refer to Page 2 for a list of all the components, quantities and tools required.

**IMPORTANT WARNING!** ⚠

IT IS CRITICAL THAT ALL FRONT RUNNER PRODUCTS BE PROPERLY AND SECURELY ASSEMBLED AND ATTACHED TO YOUR VEHICLE. IMPROPER ATTACHMENT COULD RESULT IN AN AUTOMOBILE ACCIDENT, AND COULD CAUSE SERIOUS BODILY INJURY OR DEATH. YOU ARE RESPONSIBLE FOR ASSEMBLING AND SECURING ALL FRONT RUNNER PRODUCTS TO YOUR VEHICLE, CHECKING THE ATTACHMENTS PRIOR TO USE, AND PERIODICALLY INSPECTING THE PRODUCTS FOR ADJUSTMENT, WEAR AND DAMAGE. THEREFORE, YOU MUST READ AND UNDERSTAND ALL OF THE INSTRUCTIONS AND PRECAUTIONS SUPPLIED WITH YOUR FRONT RUNNER PRODUCT PRIOR TO INSTALLATION OR USE. IF YOU DO NOT UNDERSTAND ALL OF THE INSTRUCTIONS AND CAUTIONS, OR IF YOU HAVE NO MECHANICAL EXPERIENCE AND ARE NOT THOROUGHLY FAMILIAR WITH THE INSTALLATION PROCEDURES, YOU SHOULD HAVE THE PRODUCT INSTALLED BY A PROFESSIONAL INSTALLER OR OTHER QUALIFIED PERSONNEL.

**NOTE:** Front Runner will not be responsible for any damage caused by the failure to install the product according to these instructions.

Please call us if you have any questions about the installation of this product.

1

# GET ORGANIZED

## IN THE BOX

1	1 X	Top Mounting Bracket
2	1 X	Bottom Mounting Bracket
3	1 X	M8 x 16 x 1.6 Flat Washer
4	1 X	M8 Nyloc Nut
5	1 X	M8 Nylon Washer
6	1 X	M8 Eye Nut
7	1 X	Holder Bracket
8	1 X	6mm Spacer

## TOOLS NEEDED

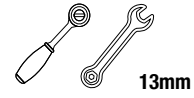
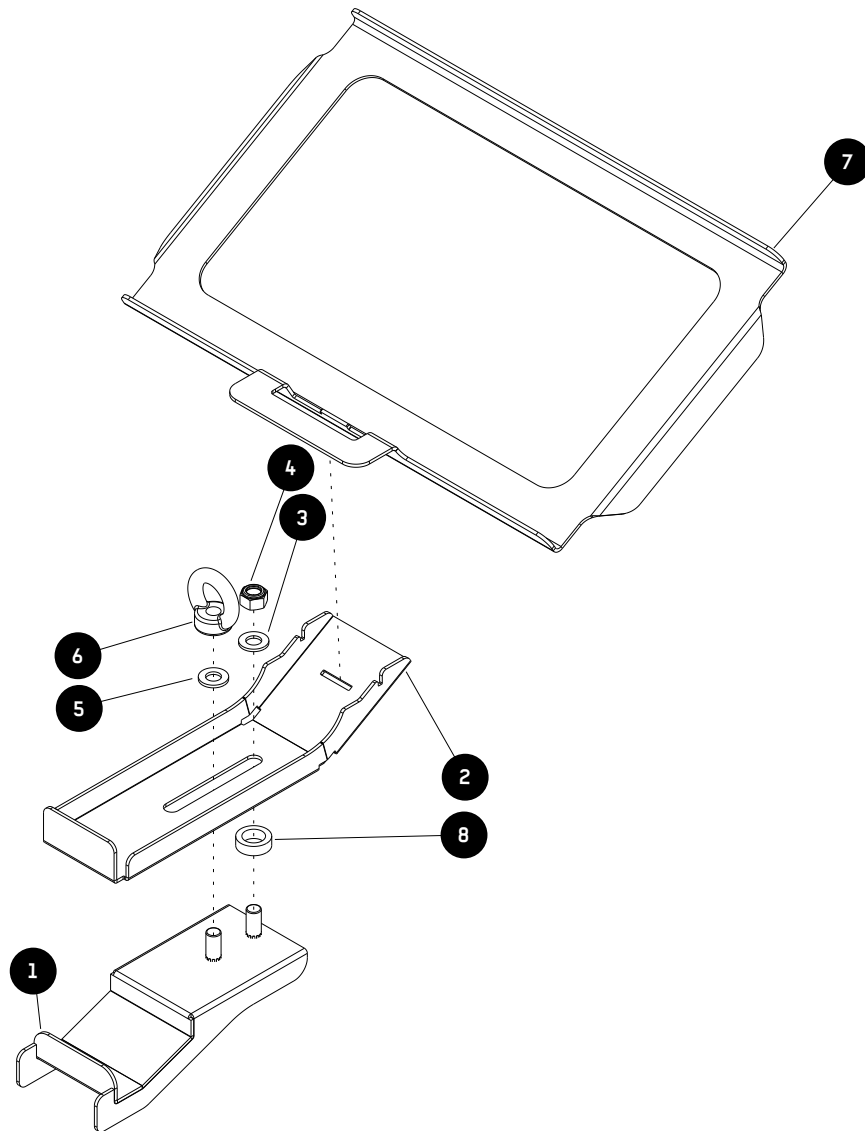


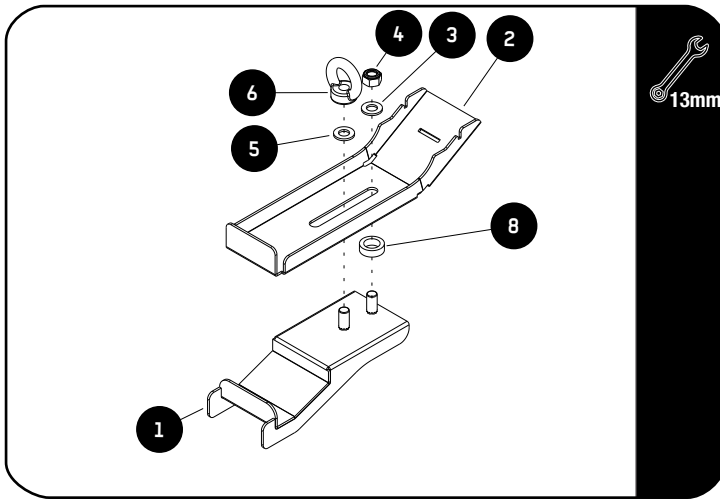
FIGURE 1.1



2

**FIT AND SECURE**

2.1



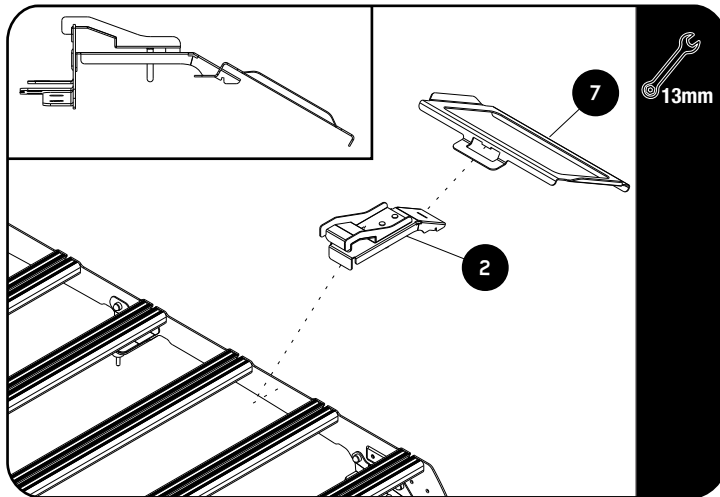
Position the Top Mounting Bracket (Item 1) on a flat surface, with the studs facing up. Add the 6mm Spacer (Item 8) to the stud as shown in fig 2.1.

Position the Bottom Mounting Bracket (Item 2) over the studs and loosely assemble with the M8 x 16 x 1.6 Flat Washer and M8 Nyloc Nut (Items 3 & 4) as shown in fig 2.1.

Lastly, loosely assemble the M8 Nylon washer and M8 Eye Nut (Items 5 & 6) as shown in fig 2.1

Tighten just enough to allow for adjustability.

2.2



To fit onto a Slimsport Rack, hook the assembled bracket from step 2.1 onto the foot rail between two slats.

Adjust the Bottom Mounting Bracket (Item 2) to press against the foot rail and tighten all the fasteners.

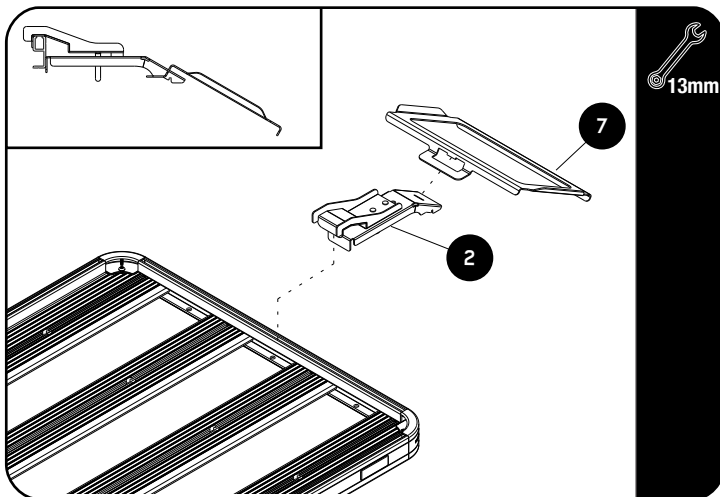
Hook the Holder Bracket (Item 7) under the Bottom Mounting Bracket. The lip should slot into the top of the Bottom Mounting Bracket, as shown in fig 2.2.



**Tightening Torque:**

M8 : 15-20Nm / 11.06 ft lb - 14.75 ft lb

2.3



To fit onto a Slimline II Rack, hook the assembled bracket from step 2.1 onto the side profile between two slats.

Adjust the Bottom Mounting Bracket (Item 2) to press against the side profile and tighten all the fasteners.

Hook the Holder Bracket (Item 7) under the Bottom Mounting Bracket. The lip should slot into the top of the Bottom Mounting Bracket, as shown in fig 2.3.



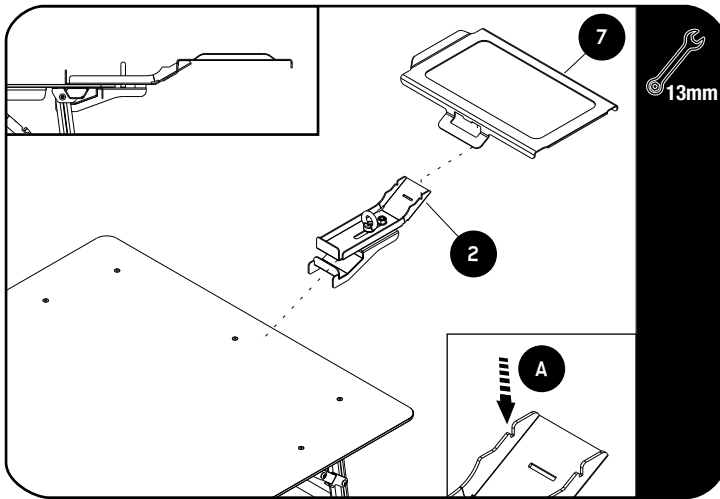
**Tightening Torque:**

M8 : 15-20Nm / 11.06 ft lb - 14.75 ft lb

## 2

## FIT AND SECURE

2.4



🔄 To fit onto a TBRA035 Table, turn the assembled bracket from step 2.1, 180 degrees and loosen the M8 Eye Nut, to allow for clamping onto the Table. Hook the Top Mounting Bracket onto the angled support profile on the underside of the table.

Adjust the Bottom Mounting Bracket (Item 2) as far forward as the slot allows and tighten all the fasteners.

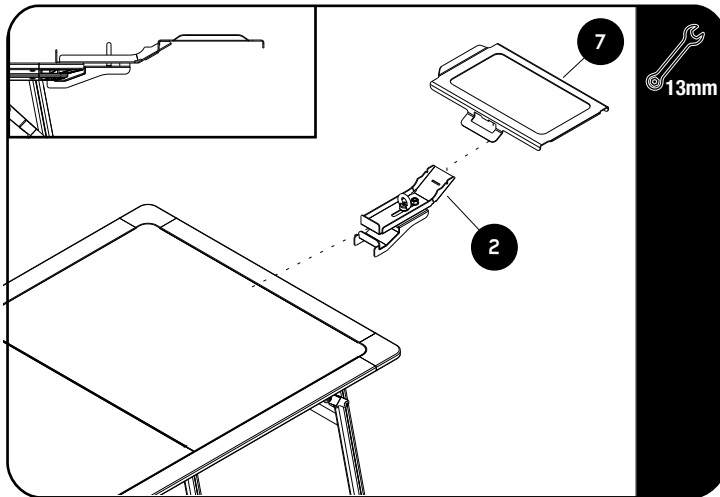
Hook the Holder Bracket (Item 7) under the Bottom Mounting Bracket. Slide the bracket into the the slots (A) of the the Bottom Mounting Bracket, as shown in fig 2.4.



### Tightening Torque:

M8 : 15-20Nm / 11.06 ft lb - 14.75 ft lb

2.5



🔄 To fit onto a TBRA015 and TBRA019 Table, turn the assembled bracket from step 2.1, 180 degrees and loosen the M8 Eye Nut, to allow for clamping onto the Table. Hook the Top Mounting Bracket onto the angled support profile on the underside of the table.

Adjust the Bottom Mounting Bracket (Item 2) as far forward as the slot allows and tighten all the fasteners.

Hook the Holder Bracket (Item 7) under the Bottom Mounting Bracket. Slide the bracket into the the slots (A) of the the Bottom Mounting Bracket, as shown in fig 2.4.



### Tightening Torque:

M8 : 15-20Nm / 11.06 ft lb - 14.75 ft lb

## 3

## FINISH

Congratulations! You did it. Take a step back and admire your work!

## 4

## INSTALL OTHER VEHICLE AND RACK ACCESSORIES

Now's the time to visit your favorite Front Runner Dealer in person or online.

Be sure to tag us. We love to see our gear in action! #FrontRunnerOutfitters #BornToRoam

Share your adventures on:  