

READ ME !

Thank you for purchasing a Front Runner Quick Release Cargo Box Bracket.
Before you start, take a moment to familiarize yourself with the Fitting Instructions and the included components.
Refer to Page 2 for a list of all the components, quantities and tools required.

IMPORTANT WARNING!

IT IS CRITICAL THAT ALL FRONT RUNNER PRODUCTS BE PROPERLY AND SECURELY ASSEMBLED AND ATTACHED TO YOUR VEHICLE. IMPROPER ATTACHMENT COULD RESULT IN AN AUTOMOBILE ACCIDENT, AND COULD CAUSE SERIOUS BODILY INJURY OR DEATH. YOU ARE RESPONSIBLE FOR ASSEMBLING AND SECURING ALL FRONT RUNNER PRODUCTS TO YOUR VEHICLE, CHECKING THE ATTACHMENTS PRIOR TO USE, AND PERIODICALLY INSPECTING THE PRODUCTS FOR ADJUSTMENT, WEAR AND DAMAGE. THEREFORE, YOU MUST READ AND UNDERSTAND ALL OF THE INSTRUCTIONS AND PRECAUTIONS SUPPLIED WITH YOUR FRONT RUNNER PRODUCT PRIOR TO INSTALLATION OR USE. IF YOU DO NOT UNDERSTAND ALL OF THE INSTRUCTIONS AND CAUTIONS, OR IF YOU HAVE NO MECHANICAL EXPERIENCE AND ARE NOT THOROUGHLY FAMILIAR WITH THE INSTALLATION PROCEDURES, YOU SHOULD HAVE THE PRODUCT INSTALLED BY A PROFESSIONAL INSTALLER OR OTHER QUALIFIED PERSONNEL.

NOTE: Front Runner will not be responsible for any damage caused by the failure to install the product according to these instructions.
Please call us if you have any questions about the installation of this product.



1 GET ORGANIZED

IN THE BOX

1	2 X	Latch Plate LH
2	2 X	Latch Plate RH
3	2 X	Catch Bracket LH
4	2 X	Catch Bracket RH
5	8 X	M8 x 20 Hex Head Bolt
6	20 X	M8 Nut Cap
7	4 X	M8 x 45 Hex Head Bolt
8	4 X	Inner Bracket
9	4 X	M8 x 16 x 1.6 Flat Washer
10	20 X	M8 Nyloc Nut
11	2 X	T-Slot Rubber (700mm)
12	8 X	Peel & Stick Glue Foam (145mm)
13	4 X	Bobbin - Male
14	4 X	Bobbin - Female

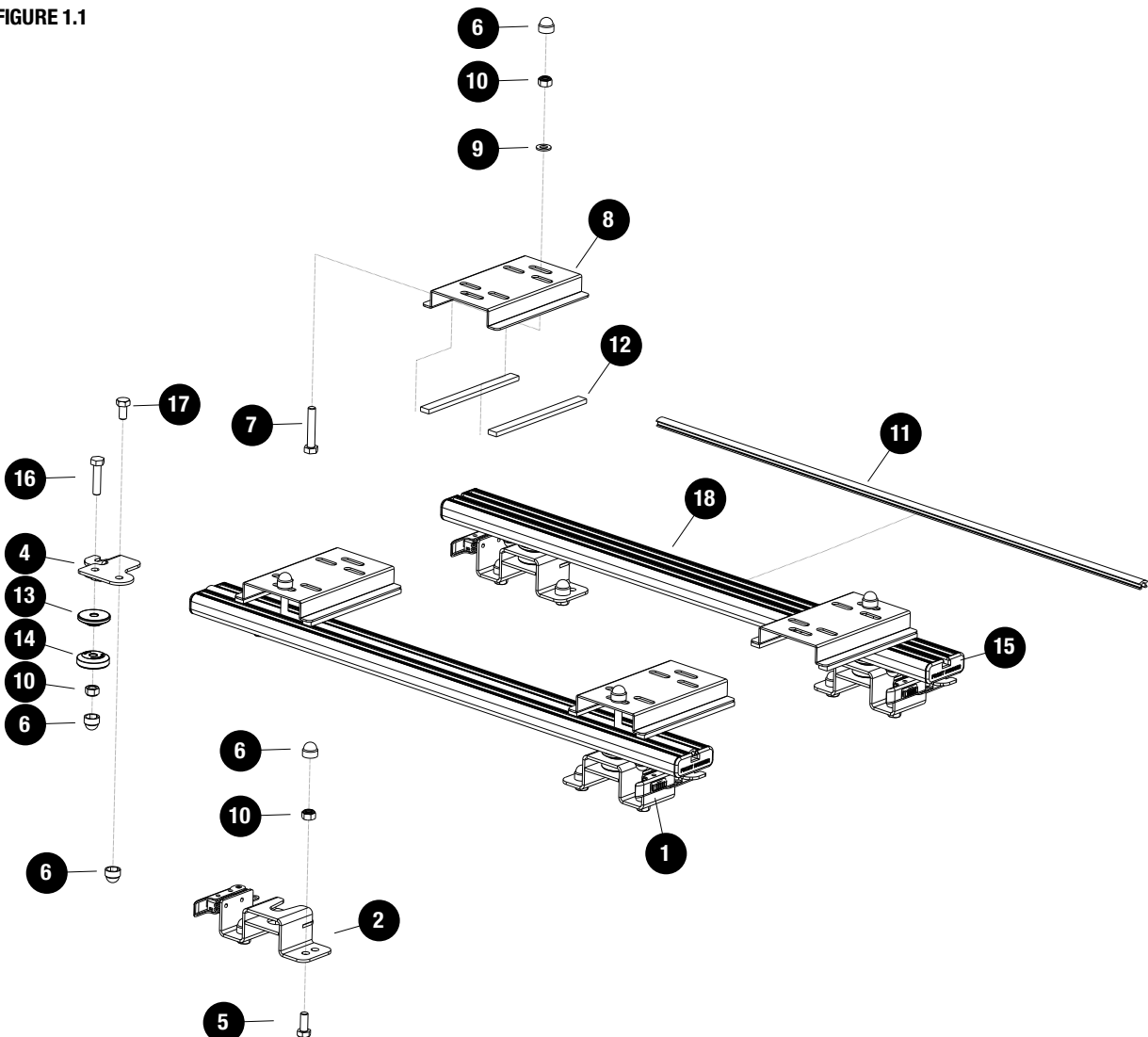
IN THE BOX

15	4 X	End Cap
16	4 X	M8 x 35 Hex Head Bolt
17	4 X	M8 x 16 Hex Head Bolt
18	2 X	Standard Slat (700mm)

TOOLS NEEDED



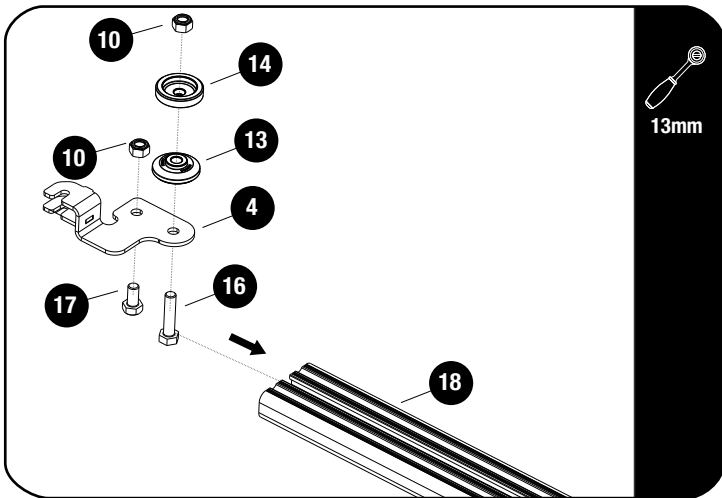
FIGURE 1.1



2

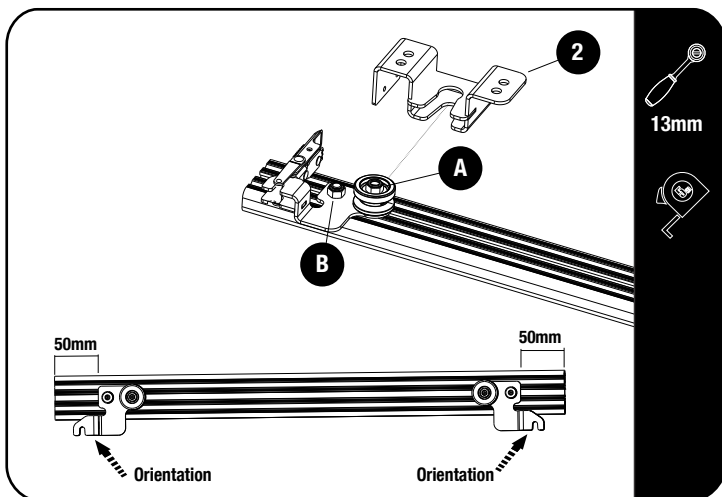
FIT AND SECURE

2.1



Assemble the Catch, Male Bobbin & Female Bobbin (Items 4, 13 & 14) to the Standard Slat (Item 18) using M8 x 35 Hex Bolts, M8 x 20 Hex Bolts and M8 Nyloc Nuts (Items 10, 16 & 17), do not fully tighten.

2.2



Slide the Latch Plate (Item 2) onto the Bobbin Assembly.

Check For excess movement and tighten nut (A) to reduce / remove any excess movement.

Remove the Latch Plate (Item 2), it should be snug but still removed with ease.

⚠ Measure 50mm from each slat end for positioning of the Catch Brackets.

⚠ Ensure the correct orientation for the Release Brackets (Item 3 & 4) on each slat as shown. Fully tighten nut (B)

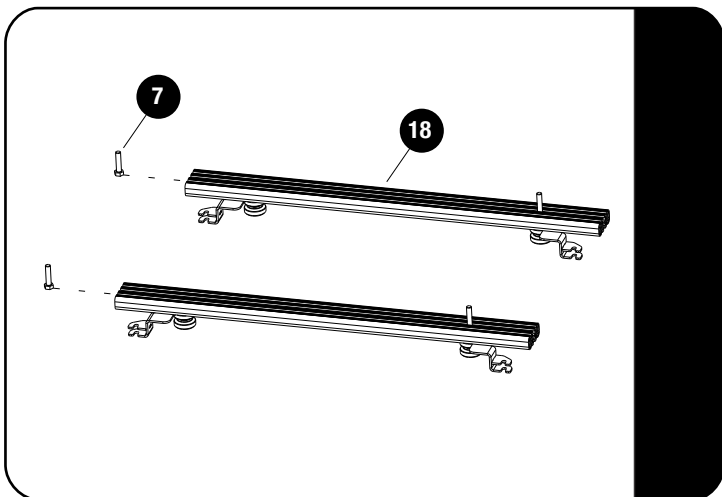
Repeat for other slat.



Tightening Torque:

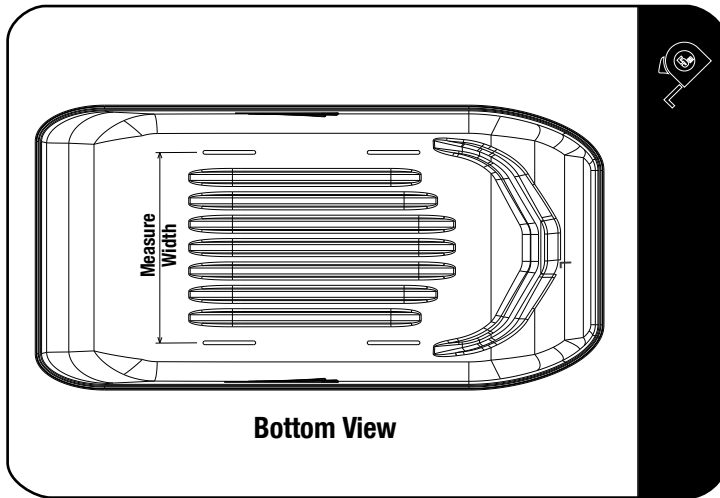
M8 : 15-20Nm / 11.06 ft lb - 14.75 ft lb

2.3



Turn the assembled slats over and slide four M8x45 Hex Head Bolts (Item 7) into the assembled slats as shown.

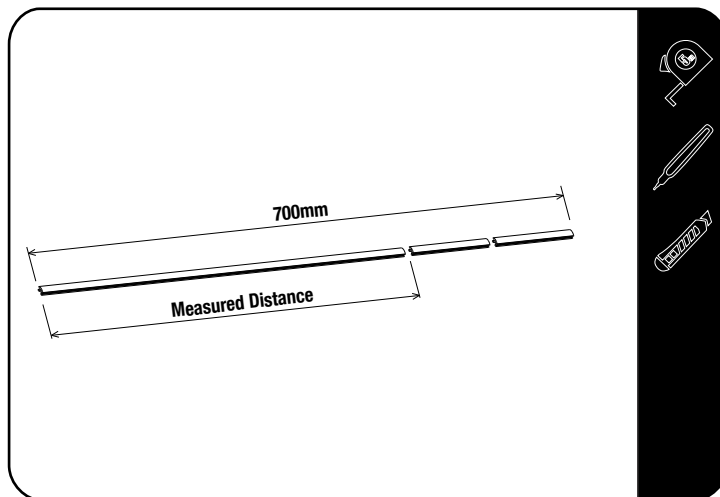
2.4



🔄 Measure the width between the centers of your cargo box mounting slots.

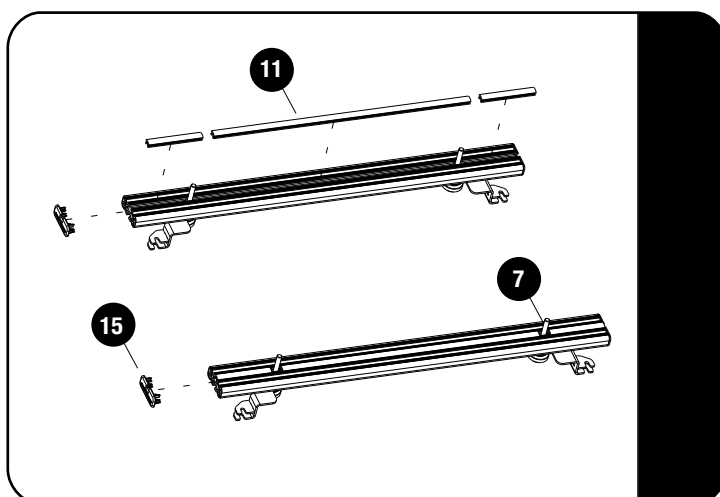
⚠️ The position of the mounting slots of your cargo box, vary from make and model.

2.5



🔄 Using the measurement from 2.4, cut the T-Slot Rubber (Item 11), removing 20mm extra to allow for the bolts to pass through. Cut the remaining piece into 2 equal lengths as shown.

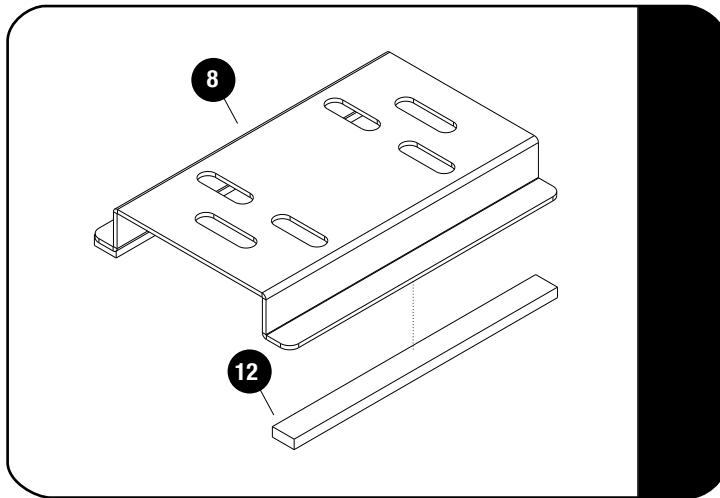
2.6



🔄 Insert the T-Slot Rubbers (Item 11) into the T-slot of each Slat with the M8x45 Hex Head Bolts (Item 7) positioned as shown.

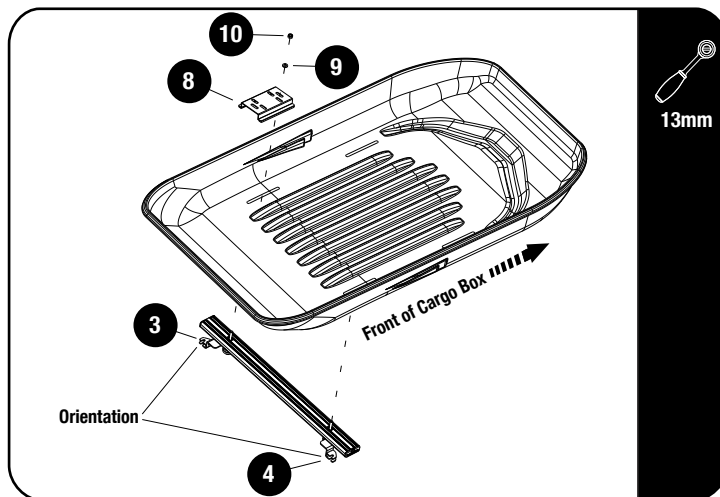
Insert the four Slat End Caps (Item 15) into the left and right ends of the assembled Slats.

2.7



Remove the backing tape of the Self Adhesive Rubber Strips (Item 12) and secure it to the four Box Brackets (Item 8).

2.8



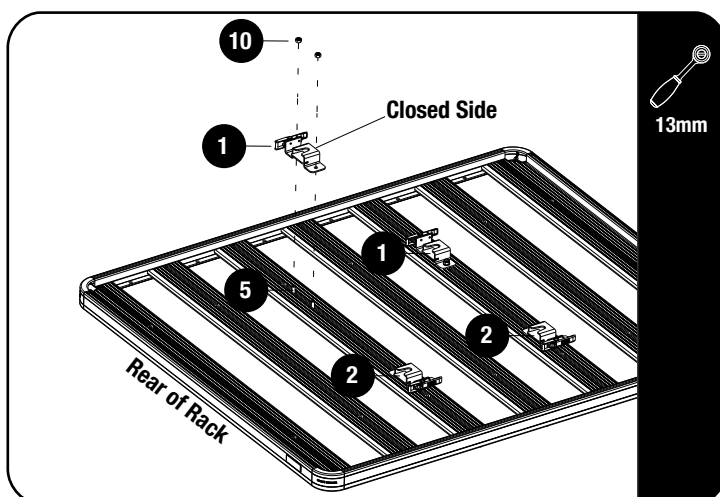
Loosely assemble the two assembled Slats inserting the M8x45 Hex Head Bolts (Item 7) through the bottom cargo box mounting slots, using the Inner Brackets, M8 Flat Washers and M8 Nyloc Nuts (Item 8, 9 & 10).

The orientation and slot usage of the Inner Brackets (Item 8) are model dependant.

Take note of the Catch Brackets (Item 3 & 4) orientation before assembling to the bottom of the cargo box.

Tip: Open Box and stand it vertically on a suitable surface while fitting Slat and Bracket.

2.9



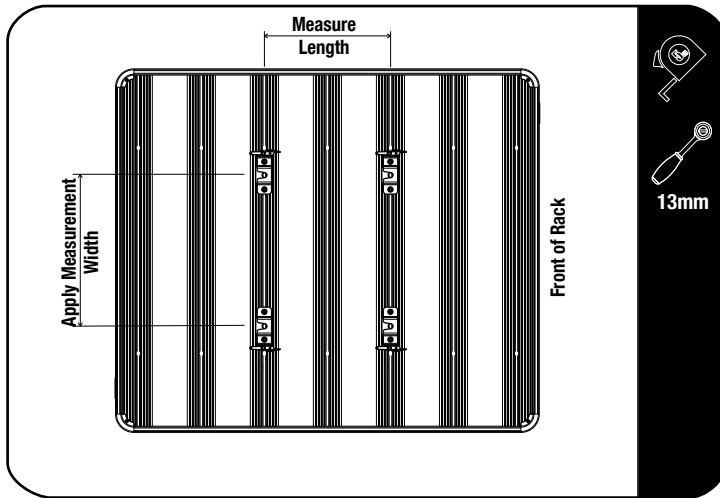
Taking into account the length and width of your cargo box, choose where you'd like to position it on the rack. This will determine where you need to fit the Latch Plates (Item 1 & 2).

Slide four M8x20 Bolts (Item 5) into each relevant slat using the machined holes in the slat.

Loosely fit the Latch Plates (Item 1 & 2) to the rack using M8x20 Hex Bolts and M8 Nyloc Nuts (Item 5 & 10).

Note the position of the Latch Plates (Items 1 & 2) and the Latch orientation. Make sure that the Closed Side of the Catch Brackets are facing toward the front of the rack.

2.10



Apply the measurement from 2.4 to the centers of the Latch Plates (Items 1 & 2) and fully tighten. Placing M8 Nut Caps (Item 6) on the M8 Nyloc Nuts.

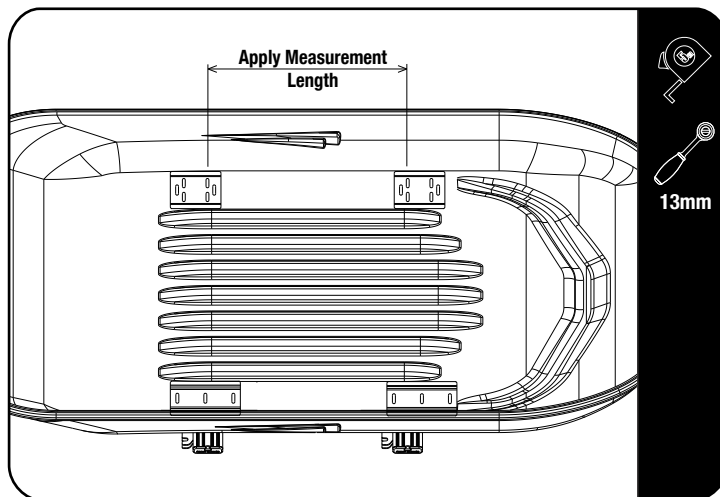
Measure the length between the centers of the Latch Plates.



Tightening Torque:

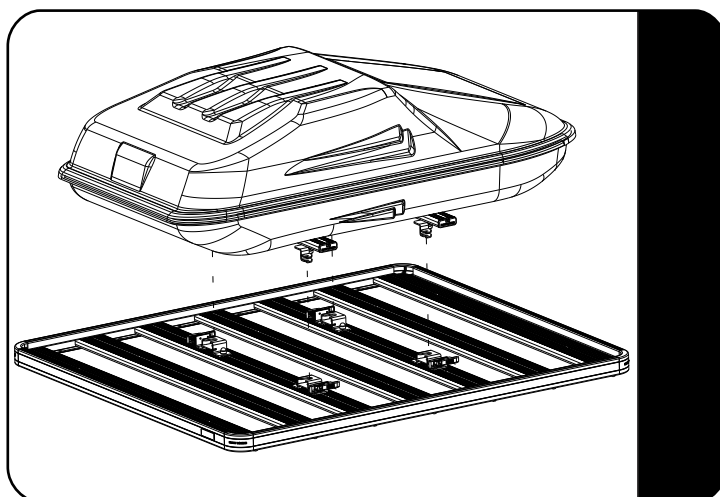
M8 : 15-20Nm / 11.06 ft lb - 14.75 ft lb

2.11



Apply the measurement from 2.10 to center the Narrow Box Brackets and fully tighten. Placing M8 Nut Caps (Item 6) on the M8 Nyloc Nuts.

2.12



Lower the Cargo Box onto the rack making sure the Quick Release Feet align with the rack mounted Catch Brackets.

Push the cargo box forward so that the Quick Release Bobbins slide fully into the Catch Brackets.

Latch all 4 Latches to secure the cargo box into the brackets.

3

FINISH

Congratulations! You did it. Take a step back and admire your work!

4

INSTALL OTHER VEHICLE AND RACK ACCESSORIES

Now's the time to visit your favorite Front Runner Dealer in person or online.

Be sure to tag us. We love to see our gear in action! #FrontRunnerOutfitters #BornToRoam

Share your adventures on: 