

READ ME !

Thank you for purchasing a Front Runner 10" LED Light Bar VX250-FL Mounting Bracket.

Before you start, take a moment to familiarize yourself with the Fitting Instructions and the included components.

Refer to Page 2 for a list of all the components, quantities and tools required.

IMPORTANT WARNING!

IT IS CRITICAL THAT ALL FRONT RUNNER PRODUCTS BE PROPERLY AND SECURELY ASSEMBLED AND ATTACHED TO YOUR VEHICLE. IMPROPER ATTACHMENT COULD RESULT IN AN AUTOMOBILE ACCIDENT, AND COULD CAUSE SERIOUS BODILY INJURY OR DEATH. YOU ARE RESPONSIBLE FOR ASSEMBLING AND SECURING ALL FRONT RUNNER PRODUCTS TO YOUR VEHICLE, CHECKING THE ATTACHMENTS PRIOR TO USE, AND PERIODICALLY INSPECTING THE PRODUCTS FOR ADJUSTMENT, WEAR AND DAMAGE. THEREFORE, YOU MUST READ AND UNDERSTAND ALL OF THE INSTRUCTIONS AND PRECAUTIONS SUPPLIED WITH YOUR FRONT RUNNER PRODUCT PRIOR TO INSTALLATION OR USE. IF YOU DO NOT UNDERSTAND ALL OF THE INSTRUCTIONS AND CAUTIONS, OR IF YOU HAVE NO MECHANICAL EXPERIENCE AND ARE NOT THOROUGHLY FAMILIAR WITH THE INSTALLATION PROCEDURES, YOU SHOULD HAVE THE PRODUCT INSTALLED BY A PROFESSIONAL INSTALLER OR OTHER QUALIFIED PERSONNEL.

NOTE: Front Runner will not be responsible for any damage caused by the failure to install the product according to these instructions.

Please call us if you have any questions about the installation of this product.



1 GET ORGANIZED

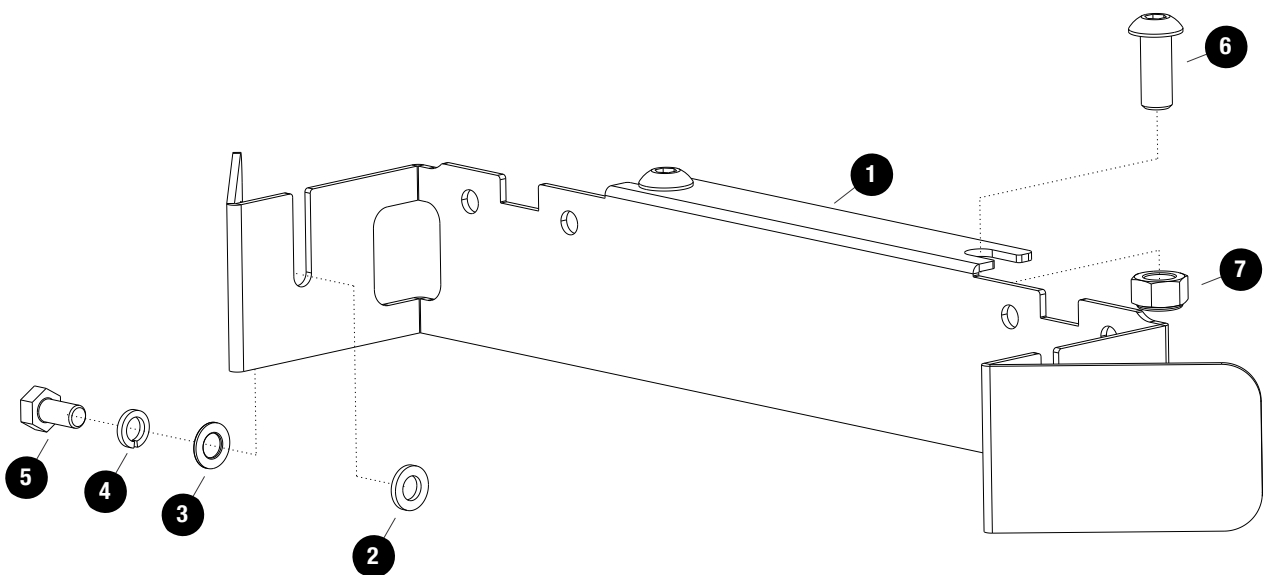
IN THE BOX

1	1 X	Light Bracket
2	2 X	M6 Black Nylon Washer
3	2 X	M6 x 12 x1 Flat Washer
4	2 X	M6 Spring Washer
5	2 X	M6 x 12 Hex Head Bolt
6	2 X	M8 x 20 Button Head Bolt
7	2 X	M8 Nyloc Nut

TOOLS NEEDED

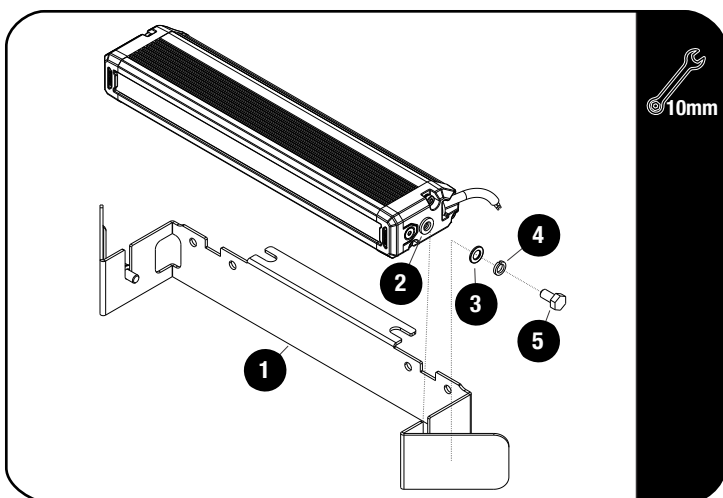


FIGURE 1.1



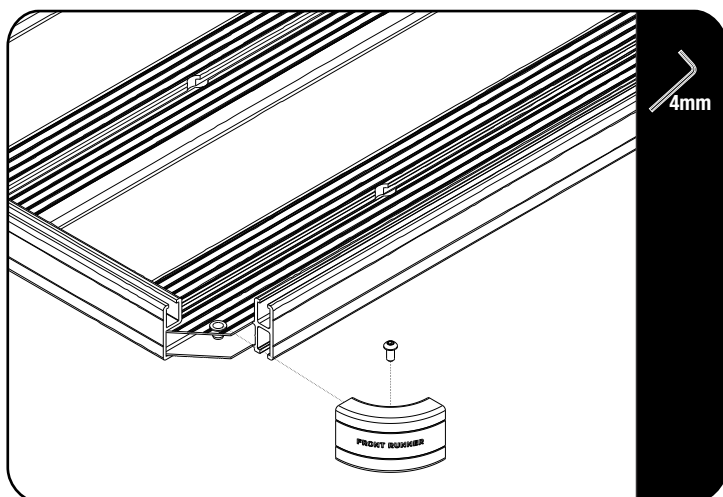
2**FIT AND SECURE**

2.1



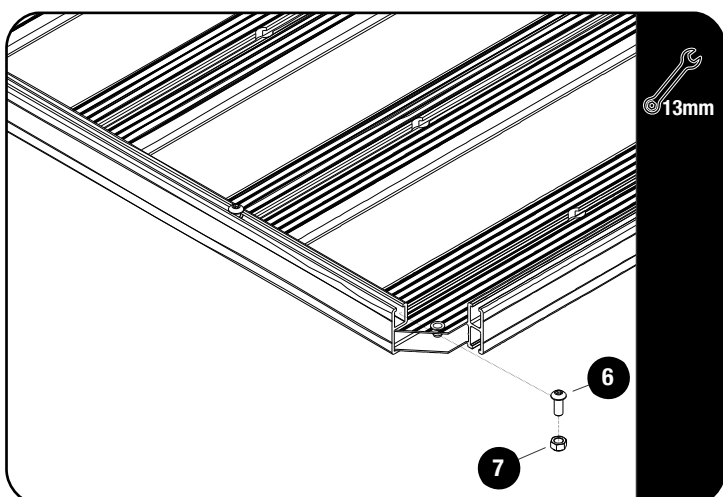
Secure your Front Runner Flood Beam (LIGH212 - sold separately) to your Light Bracket (Item 1) using M6 x 12 Hex Head Bolts, M6 Spring Washers, M6 x 12 x 1 Flat Washers and M6 Black Nylon Washers (Items 2, 3, 4 & 5).

2.2



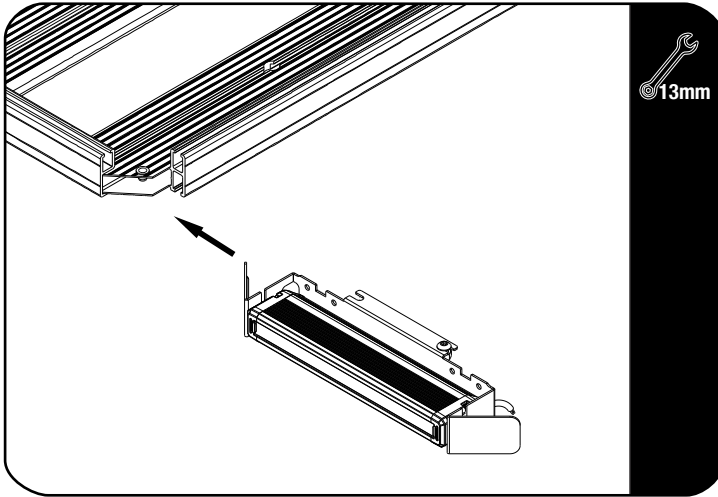
Determine where you would like to fit the Light Bracket and remove the Rack Corner as shown.

2.3



Slide Pre-assembled M8 x 20 Button Head Bolts and M8 Nyloc Nuts into the T-slot as shown

2.4



Slide the Light & Bracket to the desired position and secure the Light Bracket using M8 x 20 Button Head Bolts and M8 Nyloc Nuts that was pre-assembled in 2.3.

3

FINISH

Congratulations! You did it. Take a step back and admire your work!

4

INSTALL OTHER VEHICLE AND RACK ACCESSORIES

Now's the time to visit your favorite Front Runner dealer in person or online.

Be sure to tag us. We love to see our gear in action! #FrontRunnerOutfitters #BornToRoam

Share your adventures on:

