**READ ME !** 

Thank you for purchasing a Front Runner Telescopic Camp Light Rack Bracket.

Before you start, take a moment to familiarize yourself with the Fitting Instructions and the included components.

Refer to Page 2 for a list of all the components, quantities and tools required.

IMPORTANT WARNING! 

IT IS CRITICAL THAT ALL FRONT RUNNER PRODUCTS BE PROPERLY AND SECURELY ASSEMBLED AND ATTACHED TO YOUR VEHICLE. IMPROPER ATTACHMENT COULD RESULT IN AN AUTOMOBILE ACCIDENT, AND COULD CAUSE SERIOUS BODILY INJURY OR DEATH. YOU ARE RESPONSIBLE FOR ASSEMBLING AND SECURING ALL FRONT RUNNER PRODUCTS TO YOUR VEHICLE, CHECKING THE ATTACHMENTS PRIOR TO USE, AND PERIODICALLY INSPECTING THE PRODUCTS FOR ADJUSTMENT, WEAR AND DAMAGE. THEREFORE, YOU MUST READ AND UNDERSTAND ALL OF THE INSTRUCTIONS AND PRECAUTIONS SUPPLIED WITH YOUR FRONT RUNNER PRODUCT PRIOR TO INSTALLATION OR USE. IF YOU DO NOT UNDERSTAND ALL OF THE INSTRUCTIONS AND CAUTIONS, OR IF YOU HAVE NO MECHANICAL EXPERIENCE AND ARE NOT THOROUGHLY FAMILIAR WITH THE INSTALLATION PROCEDURES, YOU SHOULD HAVE THE PRODUCT INSTALLED BY A PROFESSIONAL INSTALLER OR OTHER QUALIFIED PERSONNEL.

NOTE: Front Runner will not be responsible for any damage caused by the failure to install the product according to these instructions.

Please call us if you have any questions about the installation of this product.



1 GET ORGANIZED

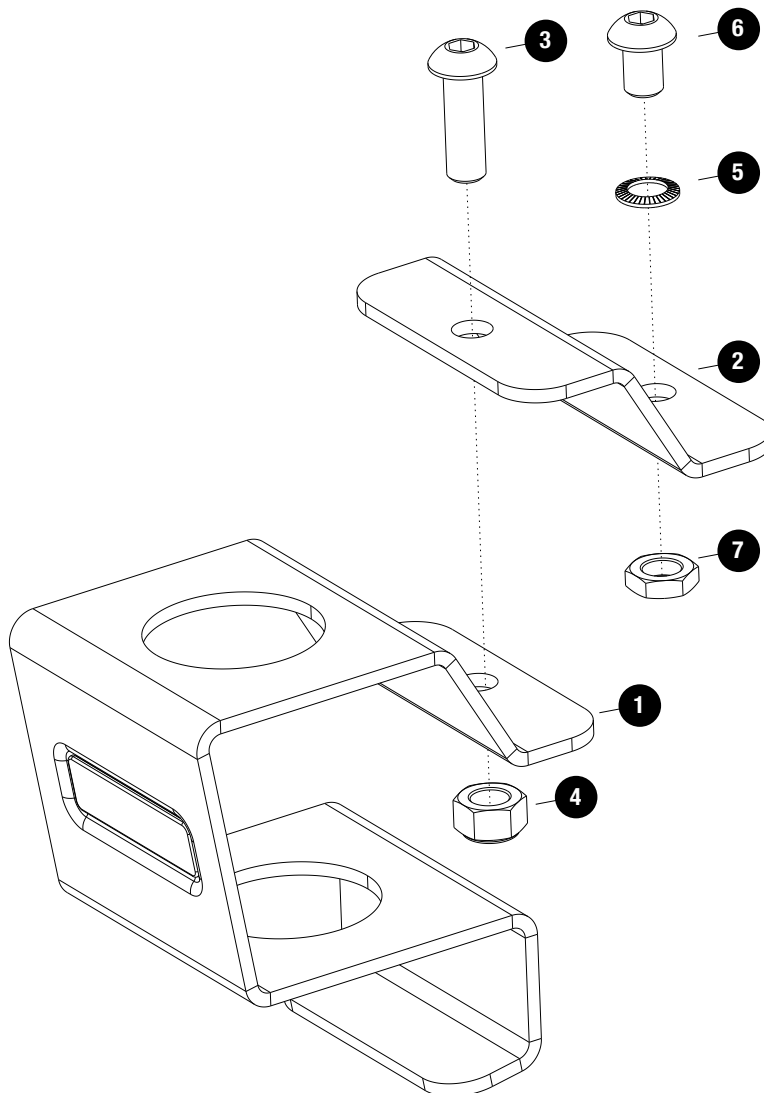
IN THE BOX

1	1 X	Light Bracket
2	1 X	Rack Support Bracket
3	1 X	M8 x 25 Button Head Bolt
4	1 X	M8 Nyloc Nut
5	1 X	M8 Schnorr Washer
6	1 X	M8 x 12 Button Head Bolt
7	1 X	M8 Thin Nut

TOOLS NEEDED

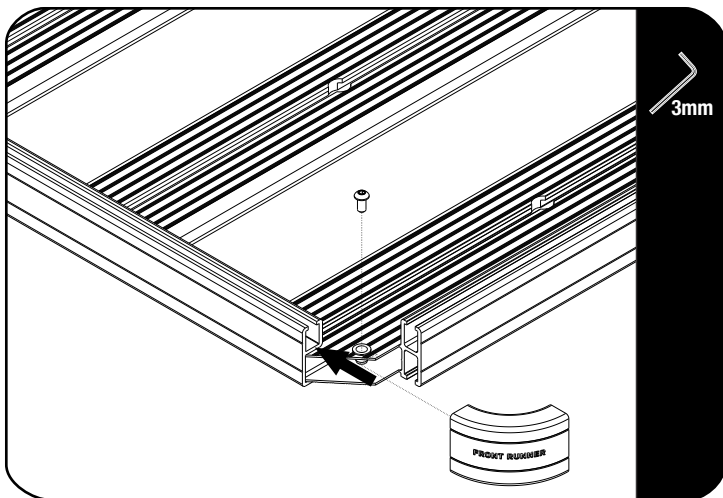


FIGURE 1.1



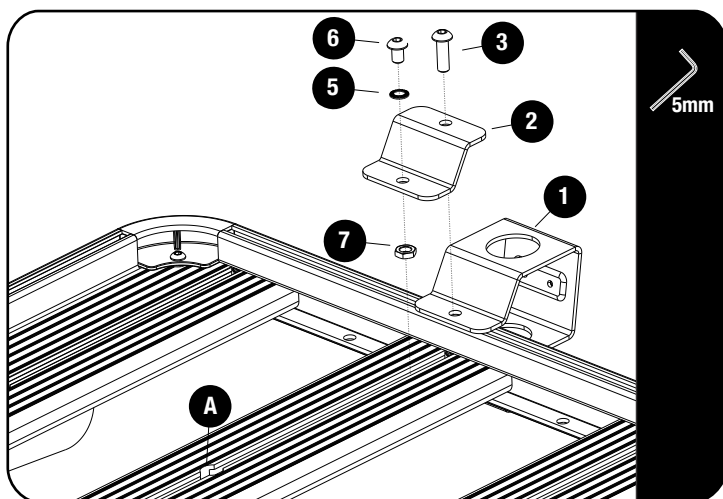
2**FIT AND SECURE**

2.1



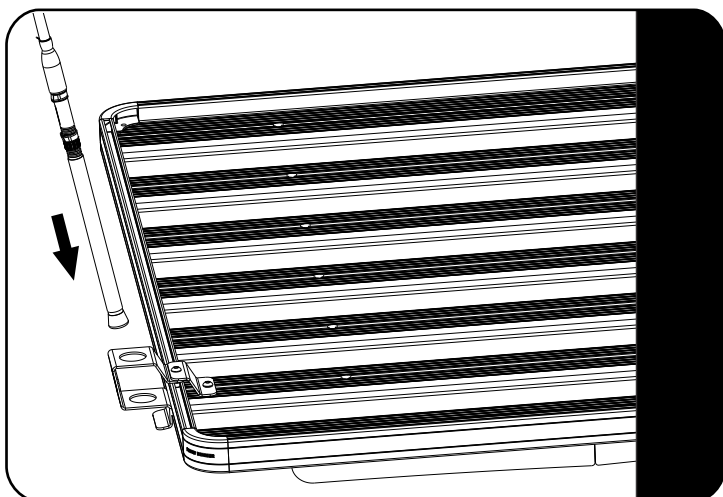
Choose where you would like to mount your Light bracket. Remove the Corner from the Rack and Slide the M8 Nyloc Nut (Item 4) into the Side Profiles T-Slot.

2.2



Secure the Light Bracket and the Rack Support Bracket (Item 1 & 2) to the Rack using M8 x 25 Button Head Bolt, M8 Nyloc Nut, M8 Schnorr Washer, M8 x 12 Button Head Bolt and a M8 Thin Nut, inserted via the slot pocket as indicated by (A) (Items 3, 4, 5, 6 & 7).

2.3



Insert the handle of the Adjustable Rod (Sold Separately - LIGH218) into the Light Bracket as shown.

3

FINISH

Congratulations! You did it. Take a step back and admire your work!

4

INSTALL OTHER VEHICLE AND RACK ACCESSORIES

Now's the time to visit your favorite Front Runner Dealer in person or online.

Be sure to tag us. We love to see our gear in action! #FrontRunnerOutfitters #BornToRoam

Share your adventures on: 