

## READ ME !

Thank you for purchasing a Front Runner Fork Mount Bike Carrier / Power Edition.

Before you start, take a moment to familiarize yourself with the Fitting Instructions and the components received.

Refer to Page 2 for a list of all the components, quantities and tools required.

## IMPORTANT WARNING!

IT IS CRITICAL THAT ALL FRONT RUNNER PRODUCTS BE PROPERLY AND SECURELY ASSEMBLED AND ATTACHED TO YOUR VEHICLE. IMPROPER ATTACHMENT COULD RESULT IN AN AUTOMOBILE ACCIDENT, AND COULD CAUSE SERIOUS BODILY INJURY OR DEATH. YOU ARE RESPONSIBLE FOR ASSEMBLING AND SECURING ALL FRONT RUNNER PRODUCTS TO YOUR VEHICLE, CHECKING THE ATTACHMENTS PRIOR TO USE, AND PERIODICALLY INSPECTING THE PRODUCTS FOR ADJUSTMENT, WEAR AND DAMAGE. THEREFORE, YOU MUST READ AND UNDERSTAND ALL OF THE INSTRUCTIONS AND PRECAUTIONS SUPPLIED WITH YOUR FRONT RUNNER PRODUCT PRIOR TO INSTALLATION OR USE. IF YOU DO NOT UNDERSTAND ALL OF THE INSTRUCTIONS AND CAUTIONS, OR IF YOU HAVE NO MECHANICAL EXPERIENCE AND ARE NOT THOROUGHLY FAMILIAR WITH THE INSTALLATION PROCEDURES, YOU SHOULD HAVE THE PRODUCT INSTALLED BY A PROFESSIONAL INSTALLER OR OTHER QUALIFIED PERSONNEL.

**NOTE:** Front Runner will not be responsible for any damage caused by the failure to install the product according to these instructions.

Please call us if you have any questions about the installation of this product.



# 1 GET ORGANIZED

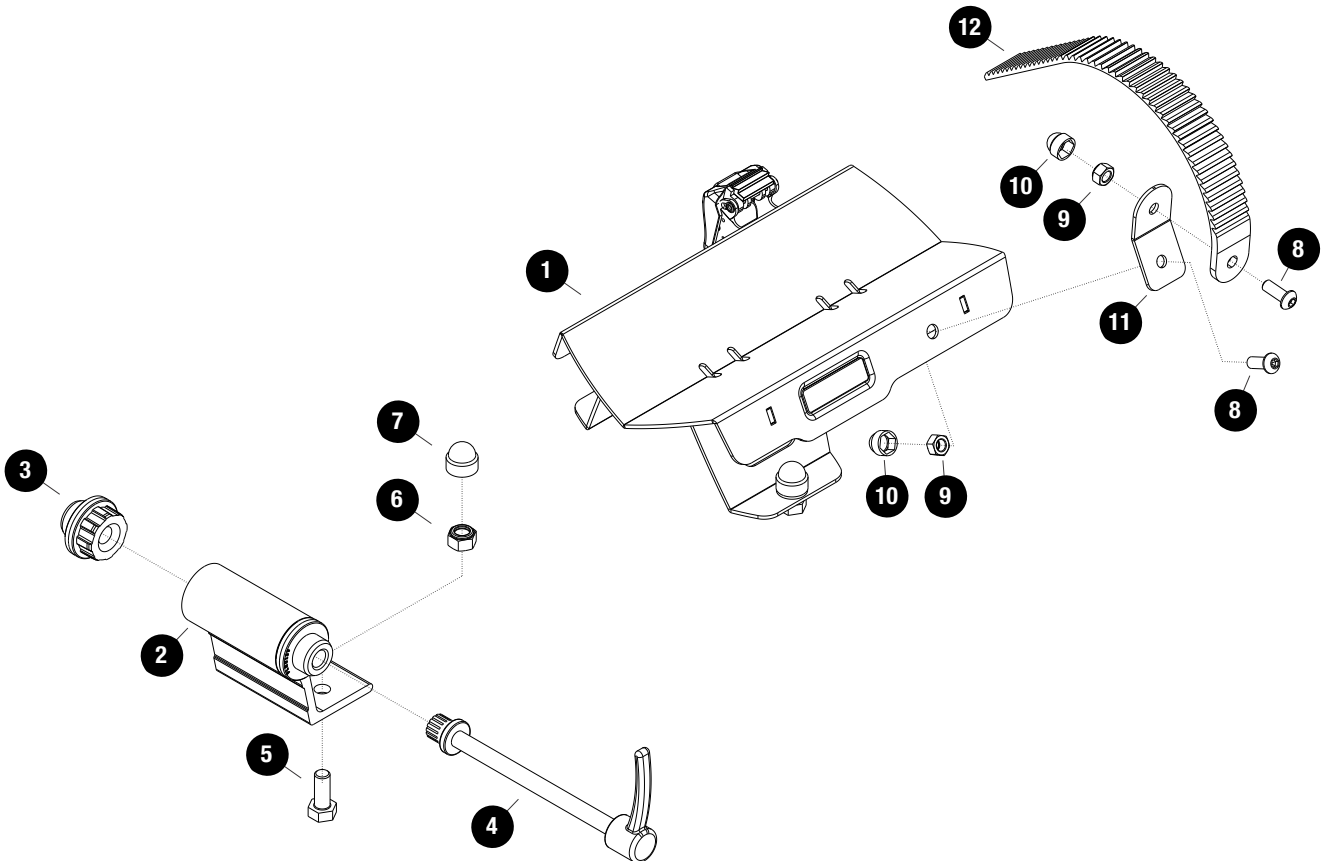
## IN THE BOX

1	1 X	Bike Rear Wheel Holder
2	1 X	Thru Axle Bracket (68mm)
3	2 X	Quick Release 9mm Insert
4	1 X	Fork Mount Holder Quick Release
5	4 X	M8 x 20 Hex Head Bolt
6	4 X	M8 Nyloc Nut
7	4 X	M8 Nut Cap
8	2 X	M6 x 16 Button Head Bolt
9	2 X	M6 Nyloc Nut
10	2 X	M6 Nut Cap
11	1 X	Angled Bracket
12	1 X	Strap 300mm

## TOOLS NEEDED

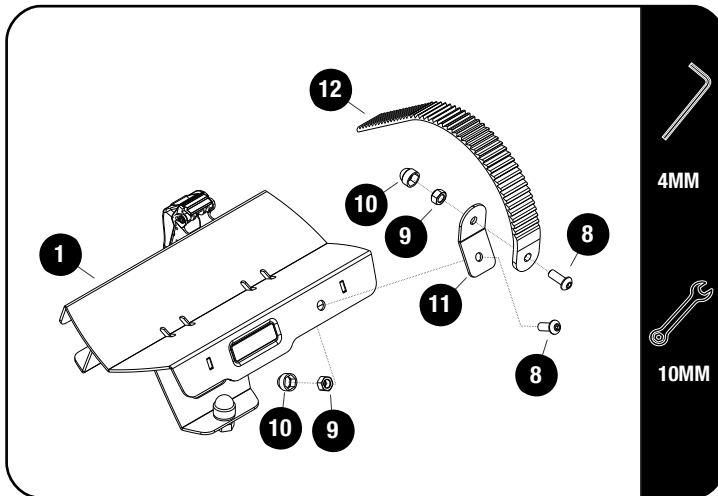


FIGURE 1.1



**2****FIT AND SECURE**

2.1



↻ If the Strap (Item 12) needs to be lengthened, use the Angle Bracket (Item 11).

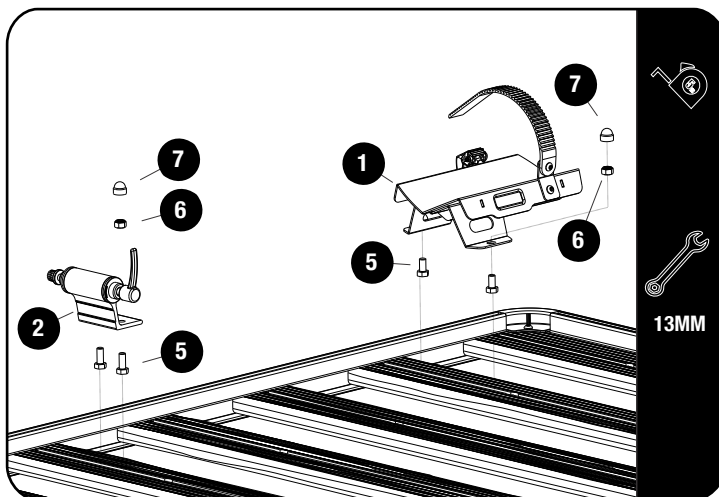
Loosen the Strap and secure the Angle Bracket to the Rear Wheel Mounting Bracket (Item 1) using the existing fasteners.

Secure the Strap to the Angle Bracket (Item 11) using M6 x 16 Button Head and M6 Nyloc Nut (Items 8 & 9).

Place M6 Nut Caps (Item 10) over all M6 Nyloc Nuts.

**Mounting to a SLII Rack**

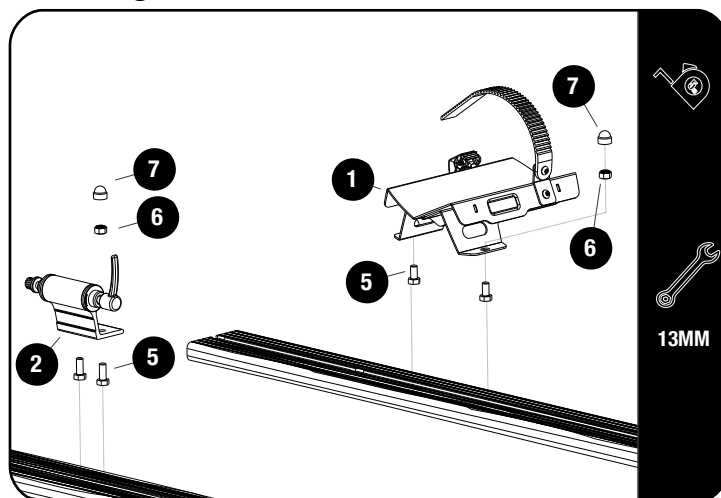
2.2



↻ Assemble the Quick Release 9mm Insert to the Thru Axle Bracket (Item 2 & 3) as shown in fig 1.1. Decide where you want to mount your bicycle on the rack. Figure out the correct spacing between the fork and rear wheel. To fit the Thru Axle Extrusion (Item 2), slide two M8 x 20 Hex Bolts (Item 5) into the T-slot of the chosen slat. Place the Thru Axle Bracket (Item 2) over the two Hex bolts and secure to the rack using two M8 Nyloc Nuts (Item 6) This will apply to Load Bars as well. Mount the Rear Wheel Mounting Bracket (Item 1) to a slat / combined slat as shown. Slide two M8 x 20 Hex Bolts (Item 5) into the chosen slat / combined slat. place the Bracket over the Hex Bolts and line up the Bracket with the center of the Thru Axle Bracket. Secure the Rear Wheel Bracket to the rack using M8 Nyloc Nuts (Item 6). Place M8 Nut caps over all Hex Bolts.

**Mounting to a Load Bar**

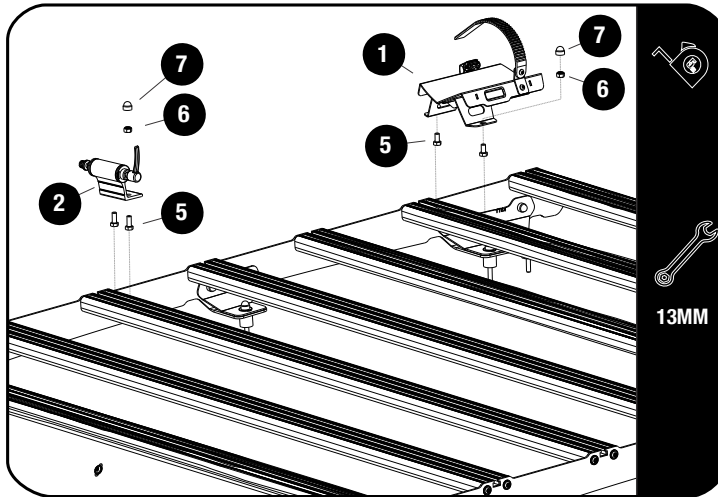
2.3



↻ Assemble the Quick Release 9mm Insert to the Thru Axle Bracket (Item 2 & 3) as shown in fig 1.1. Figure out the correct spacing between the fork and rear wheel. To fit the Thru Axle Extrusion (Item 2), slide two M8 x 20 Hex Bolts (Item 5) into the T-slot of the chosen slat. Place the Thru Axle Bracket (Item 2) over the two Hex bolts and secure to the Load Bars using two M8 Nyloc Nuts (Item 6). Mount the Rear Wheel Mounting Bracket (Item 1) to the rear slat as shown. Slide two M8 x 20 Hex Bolts (Item 5) into the front slat. Place the Bracket over the Hex Bolts and line up the Bracket with the center of the Thru Axle Bracket. Secure the Rear Wheel Bracket to the Load Bars using M8 Nyloc Nuts (Item 6). Place M8 Nut caps over all Hex Bolts.

## Mounting to a Slimsport Rack

2.4



Assemble the Quick Release 9mm Insert to the Thru Axle Bracket (Item 2 & 3) as shown in fig 1.1. Decide where you want to mount your bicycle on the rack. Figure out the correct spacing between the fork and rear wheel. To fit the Thru Axle Extrusion (Item 2), slide two M8 x 20 Hex Bolts (Item 5) into the T-slot of the chosen slat. Place the Thru Axle Bracket (Item 2) over the two Hex bolts and secure to the rack using two M8 Nyloc Nuts (Item 6). Mount the Rear Wheel Mounting Bracket (Item 1) to a slat as shown. Slide two M8 x 20 Hex Bolts (Item 5) into the chosen slot, place the Bracket over the Hex Bolts and line up the Bracket with the center of the Thru Axle Bracket. Secure the Rear Wheel Bracket to the rack using M8 Nyloc Nuts (Item 6). Place M8 Nut caps over all Hex Bolts.

3

### FINISH

Congratulations! You did it. Take a step back and admire your work!

4

### INSTALL OTHER VEHICLE AND RACK ACCESSORIES

Now's the time to visit your favorite Front Runner dealer in person or online.

Be sure to tag us. We love to see our gear in action! #FrontRunnerOutfitters #BornToRoam

Share your adventures on: 